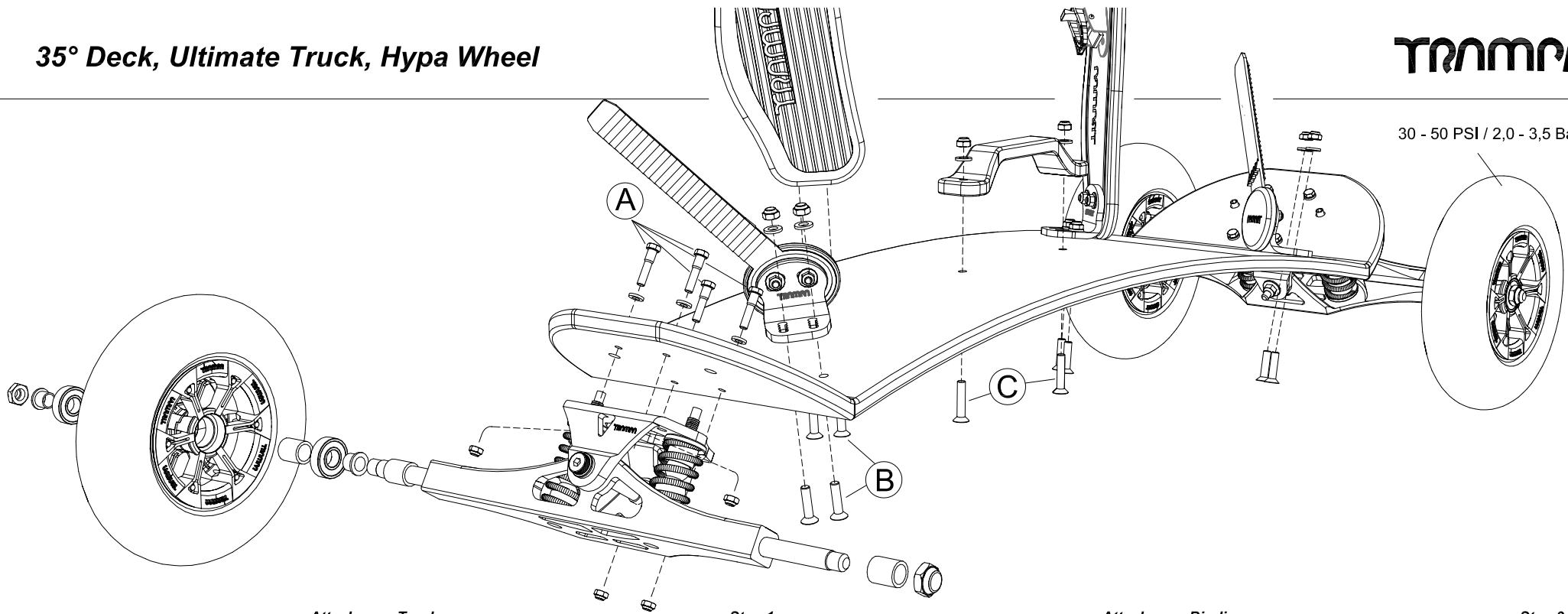


35° Deck, Ultimate Truck, Hypa Wheel



30 - 50 PSI / 2,0 - 3,5 Bar



Attach your Trucks -

Step 1

Take 4 x M5x25mm Bolts & 4 x M5 Washers from Screw Set A. Slip the Washers onto the Bolts & push the Bolts from the top side of the Deck, through the four 5mm holes in the Tip of the Deck. With the Trampa logo on the Truck facing outwards, present the Truck to the Deck & push the Bolts through the holes in the Baseplate. Use your fingers to screw the M5 Nuts onto the Bolts & tighten them by using 1x 8mm Spanner to hold the Bolt & 1x 8mm Spanner to tighten the Nut. To reach the Nuts sitting in between the Springs, insert the Spanner diagonally from the backside of the Truck (from the left backside of the Truck to hold the right Nut and vice versa). Tighten the Nuts equally & gradually & do not over tighten. Repeat the process for the 2nd Truck.

Attach your Wheels -

Step 2

Using a 14mm or 9/16ths imperial Spanner (9), remove the Axle Nut (8) from the Axle. You should have a 18.2 mm Axle Spacer (1) remaining on the Axle. Insert the outer Bearing (6) into the Hub (5). Now insert the Bearing Spacer (4) into the Hub. Insert the Inner Bearing (3) into the Hub. Slip in the Bearing Conversion Spacer (2+7). The two Conversion Spacers slightly reach into the Bearing Spacer (4) and should now centre it perfectly. Slide the Wheel Assembly carefully onto the Axle Shaft - make sure the Valve points to the outside! Re-place the Axle Nut (8) and wind it down to the point where any play is eliminated but so that the Wheel spins fast & freely. Don't tighten up the Axle Nut any further! Replace the Axle Nuts when the Nylock is worn!

Attach your Bindings -

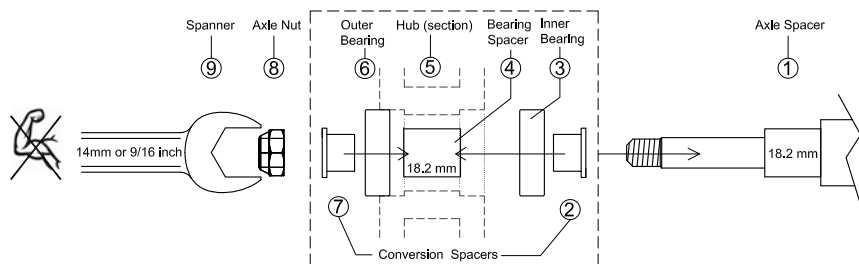
Step 3

Push the M6x25mm Countersunk Bolts (Screw Set B), from the underside, through the Deck so that the head of the Bolt sits in its Housing & the thread is exposed on the topside of the Deck. Take apart the Bindings & place the L-Bracket of the "Ladder Strap" or "Velcro Strap", into the outside position (close to the Wheels) over the exposed Bolts. Slip on the M6 Washers & then finger tightening the M6 Nuts. Place the L-Bracket of the Foot Strap over the exposed Bolts (close to the center of the Deck) & repeat the Washer & Nut process. When all 4 Binding straps are loosely attached to the Board, use a 4mm Allen Key (to hold the Bolt in position) & a 10mm Spanner (or Ratchet Spanner) to tighten the Nut. By using different hole positions in the L-Bracket, the stance of the Binding can be adjusted / tuned according to your personal preference's. After mounting the Bindings to the Deck, re-close the Bindings and adjust them to your needs.

Attach your Grab Handle -

Step 4

Push the M6x30mm Countersunk Bolts (Screw Set C) from the underside through the Deck. Place the Grab Handle onto the exposed Bolts. Slip on the M6 Washer & finger tighten the M6 Nut. To tighten, hold the Countersunk Bolt (using a 4mm Allen Key) & tighten the Nut using a 10mm Spanner or Ratchet Spanner if you have one. You can't really tighten down these Bolts because of the foam - so don't go crazy tight on these ones!



A Truck	8x				
B Binding	8x				
C Grab Handle	2x				