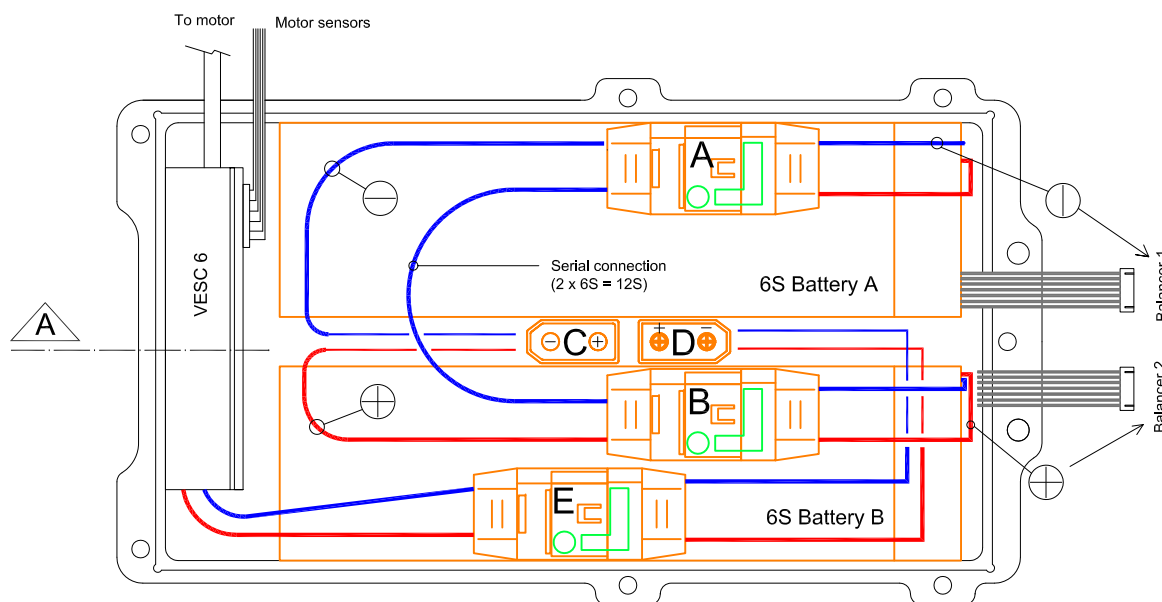
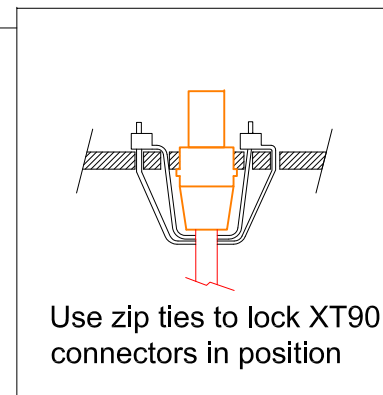
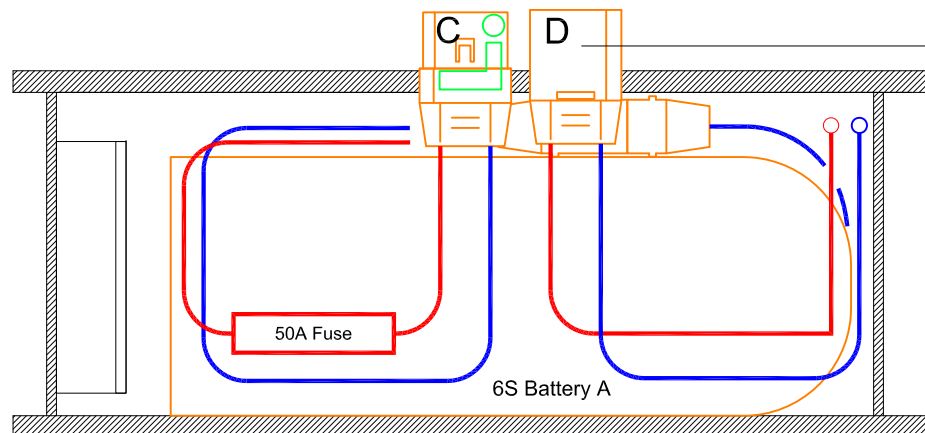
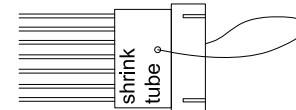


Plug in Loop to power up your Board.
Pull loop when board is not in use.
Pull loop in case of an emergency.



Hint: String attached to balancer helps pulling it out of box. String can be fixed to M4 housing screw.

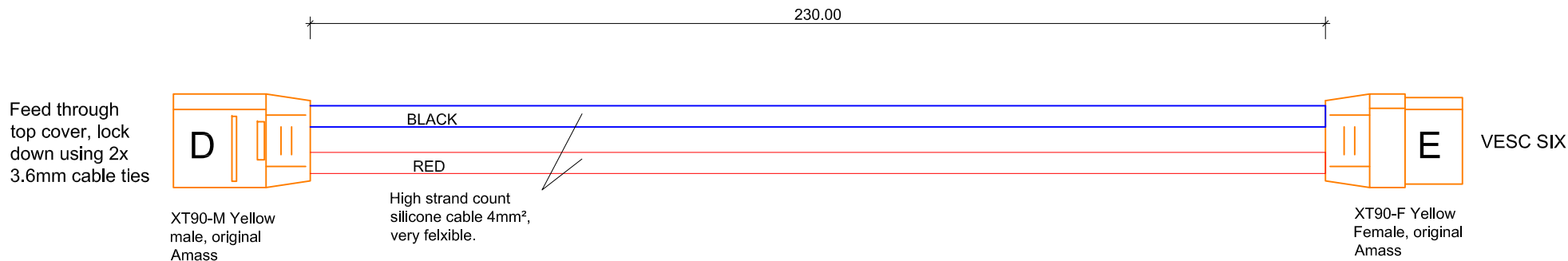


Battery A carries the minus pole of the serialized pack. Plug into balance port 1

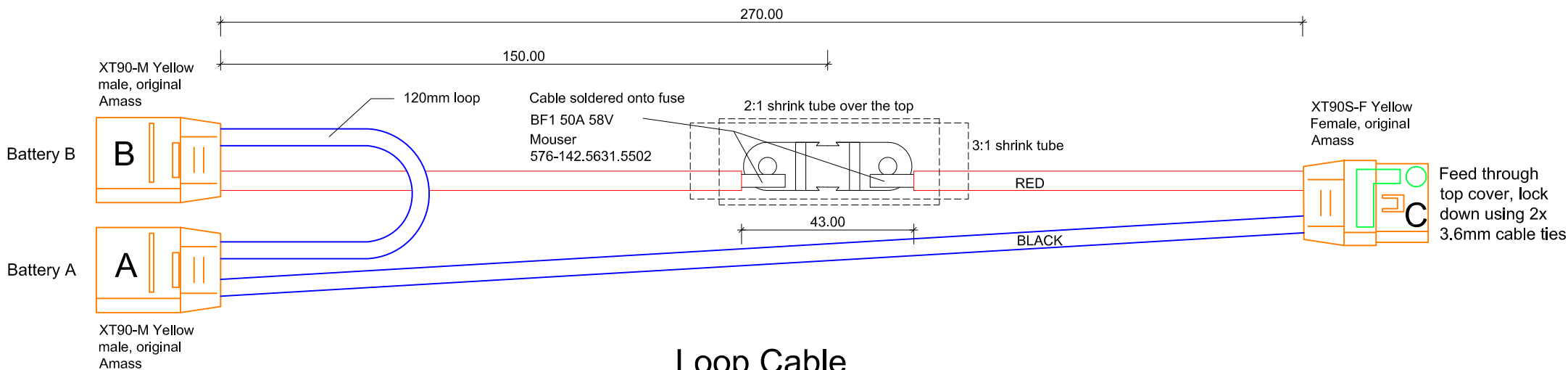
Battery B carries the plus pole of the serialized pack. Plug into balance port 2.

Warning: Secure batteries against movement, impacts, denting and vibrations! Damaged LiPo batteries may catch fire or explode. Never charge LiPo batteries unattended. Never short circuit a battery!

External connection to VESC



Battery Serial Harness



Loop Cable

