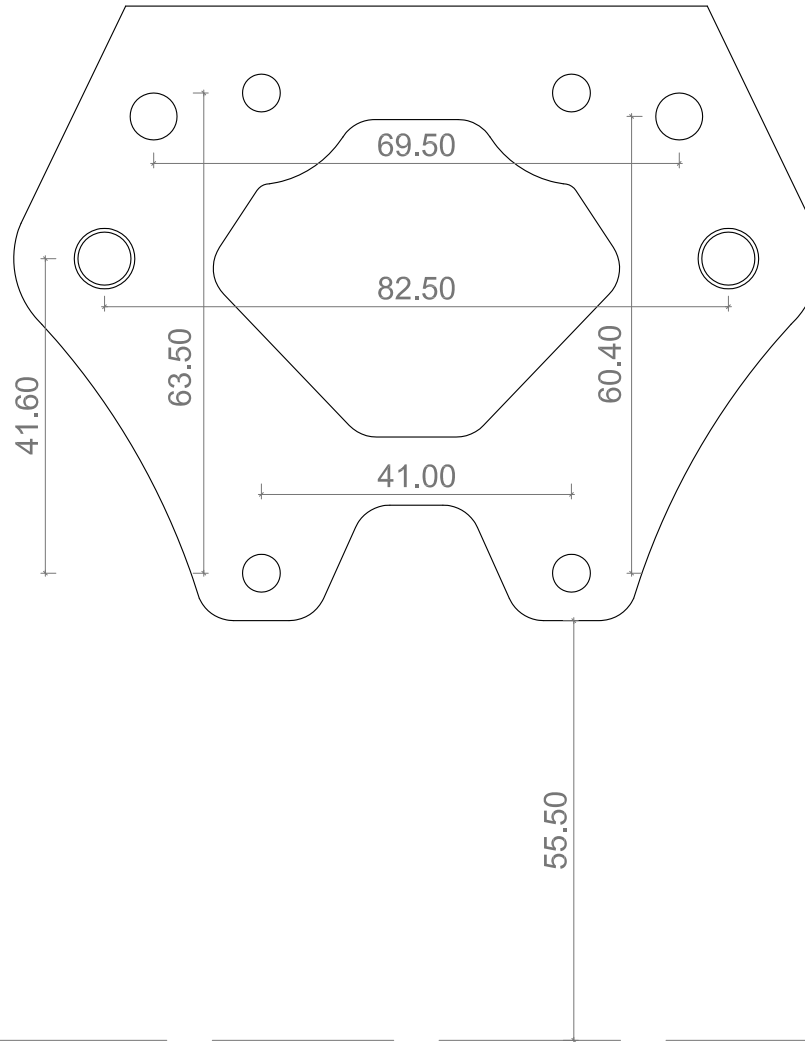


# Position of Baseplate



35° Long



crease on lower side

Bottom side of Trampa Deck

Check correct scaling and measure this length ! When printing this page, make shure Page Scaling is set to "None".

20 cm

Scale 1:1

