

Battery A  
Balancer 2  
located at positive pole of battery

Connect to 12S LiPo balance charger, connector 2 / B

Battery A  
Balancer 1  
located at negative pole of battery

Connect to 12S LiPo balance charger, connector 1 / A

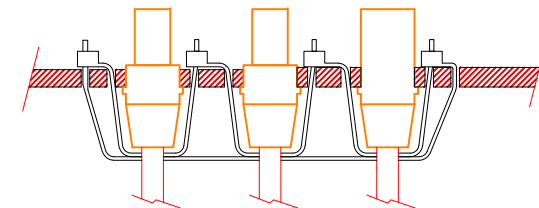
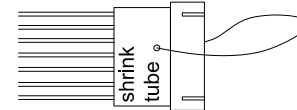
Battery A  
Balancer 2  
located at positive pole of battery

Connect to 12S LiPo balance charger, connector 2 / B

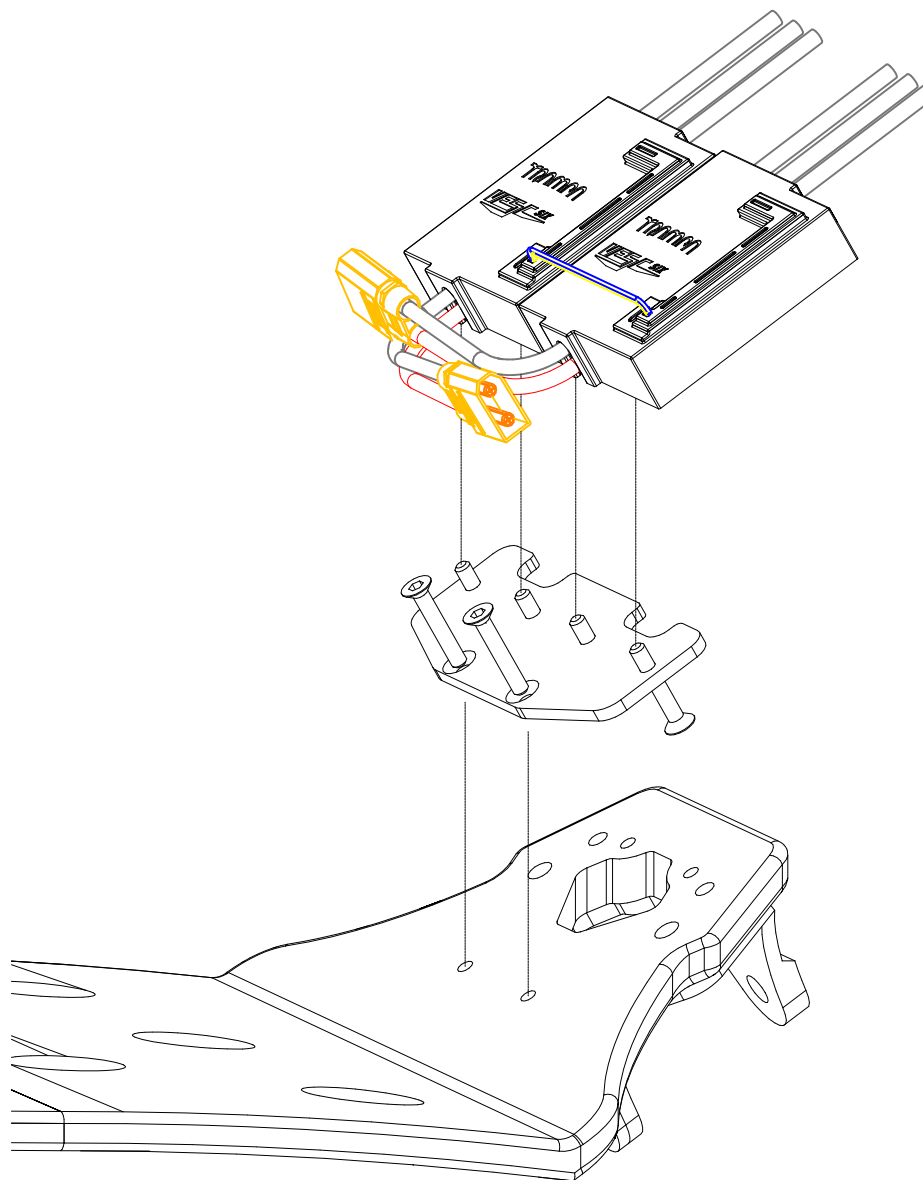
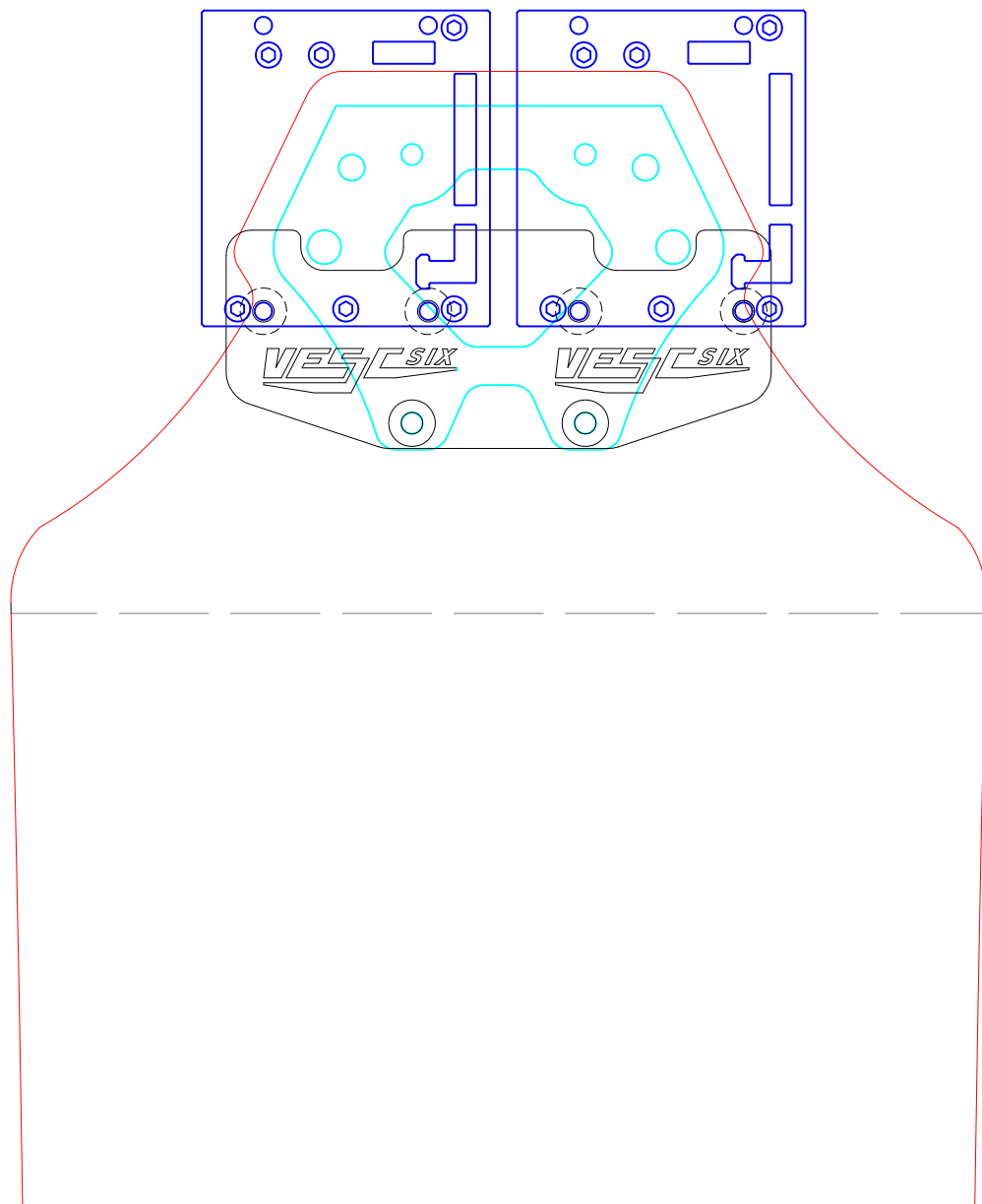
Battery A  
Balancer 1  
located at negative pole of battery

Connect to 12S LiPo balance charger, connector 1 / A

Hint: String attached to balancer helps pulling it out of box. String can be fixed to M4 housing screw.



Use zip ties to lock XT90 connectors in position



Parallel Harness



XT 90s

XT 90 male

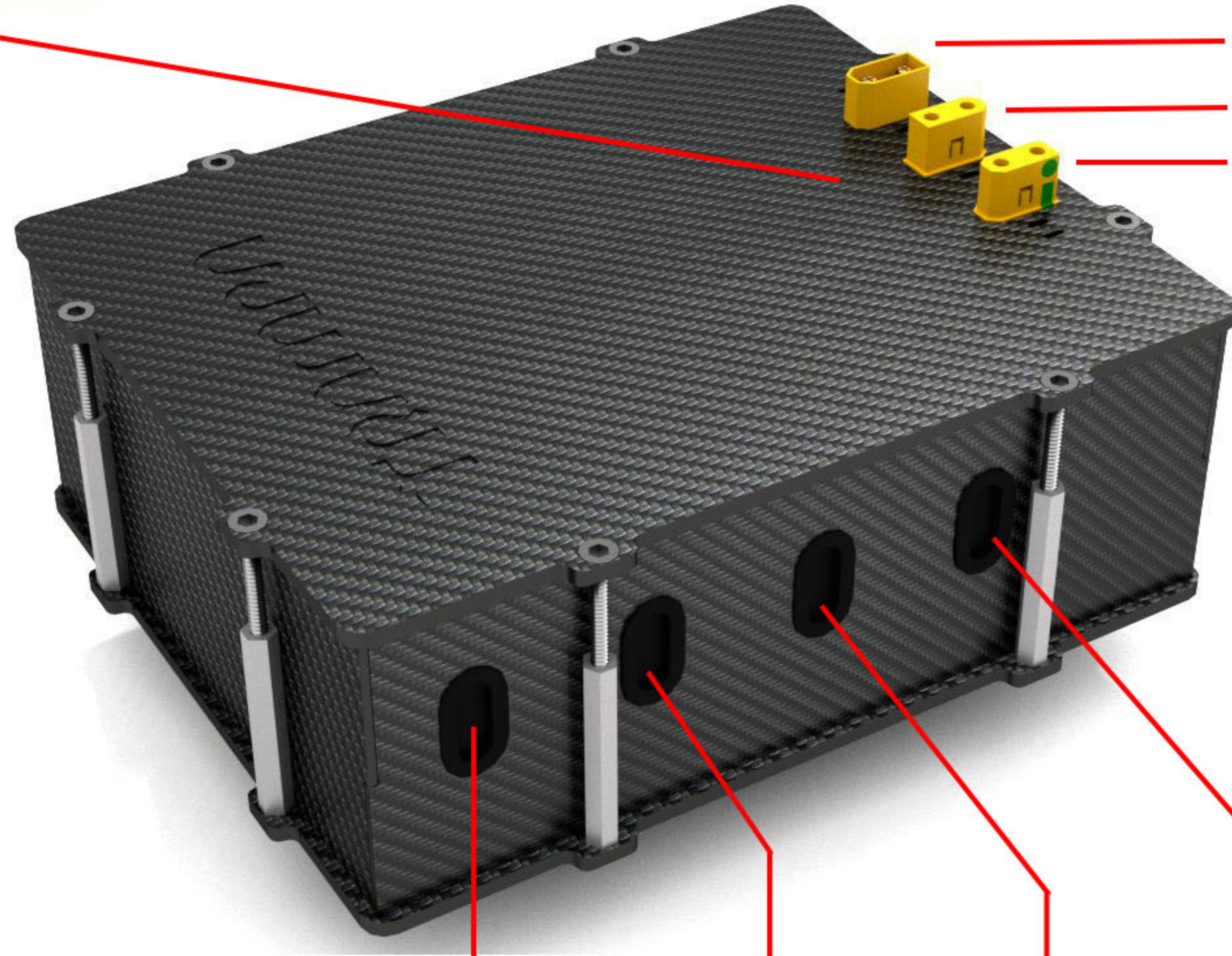
Plug in XT90S to power up Board.

Pull to depower and in case of an emergency.

To VESC A & B

Battery Port B (Charge Port B)

Battery Port A (Charge Port A)



Plug in harness to connect Battery A and B in parallel.

Batteries need to be charged to the exact same level before harness can be applied!

Battery Pack A  
Balancer Port 2

Battery Pack A  
Balancer Port 1

Battery Pack B  
Balancer Port 2

Battery Pack B  
Balancer Port 1