

Assemble the motor cage and pulley first

Motor threads used

All Screws M4 x 10 Socket cap

One 0.5mm thick brass motor washer in between pulley and bearing.

M6 x 30 counter sunk

Pulley axle spacer

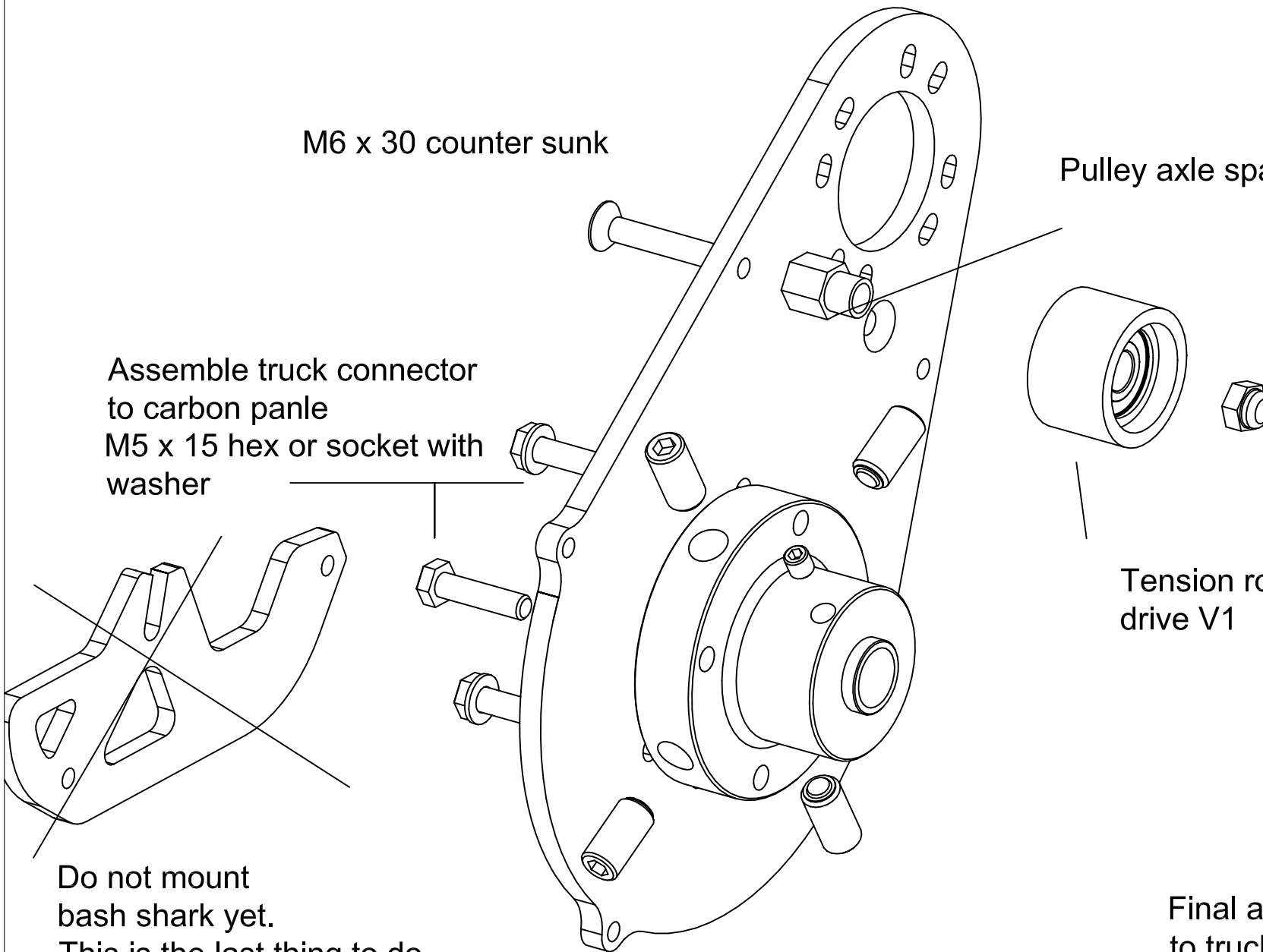
M6 Nylock nut

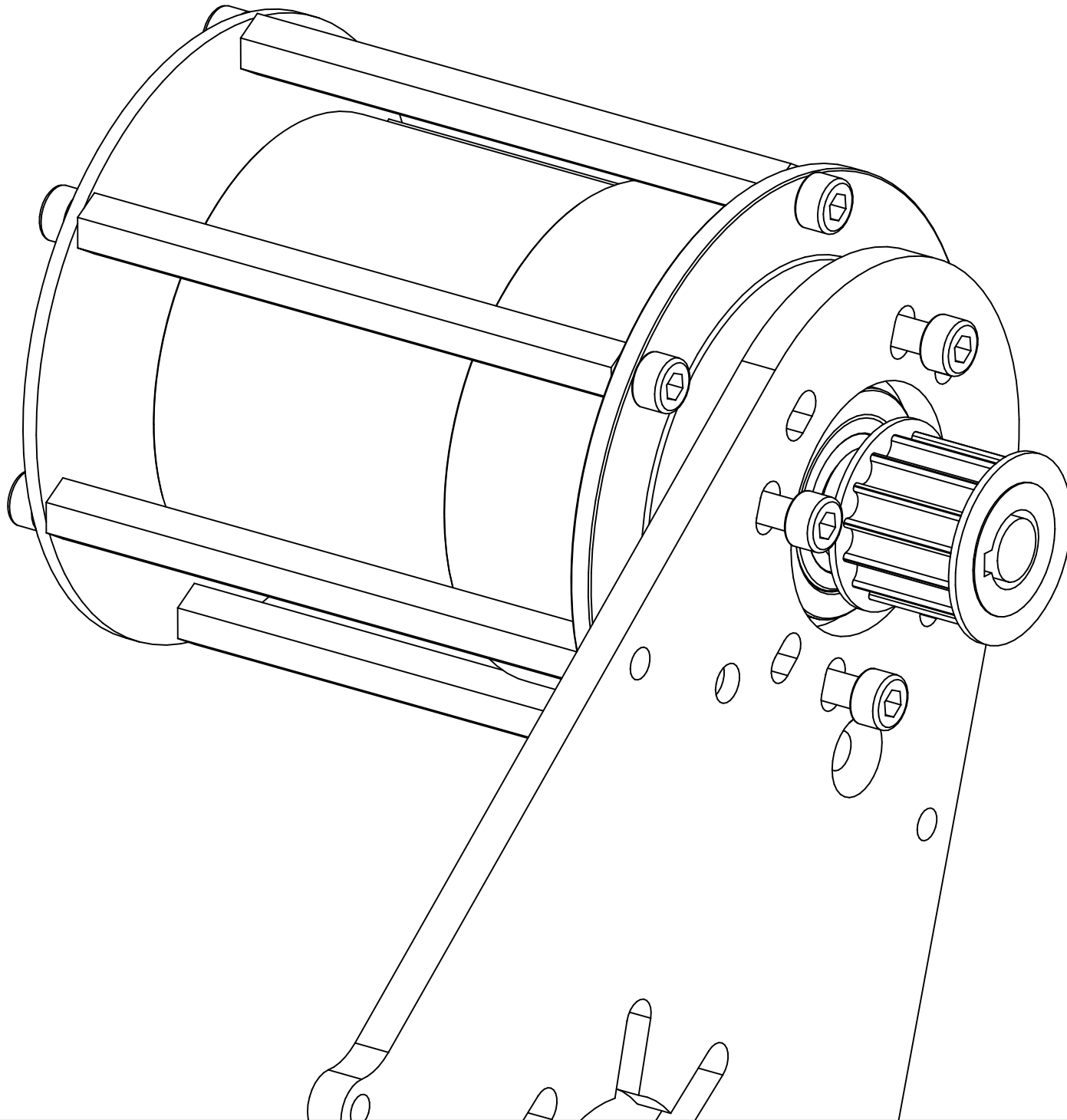
Assemble truck connector
to carbon panle
M5 x 15 hex or socket with
washer

Tension roller from pro
drive V1

Do not mount
bash shark yet.
This is the last thing to do,
after final assembly of the
entire drive

Final assembly is mounted
to truck. Check alignment

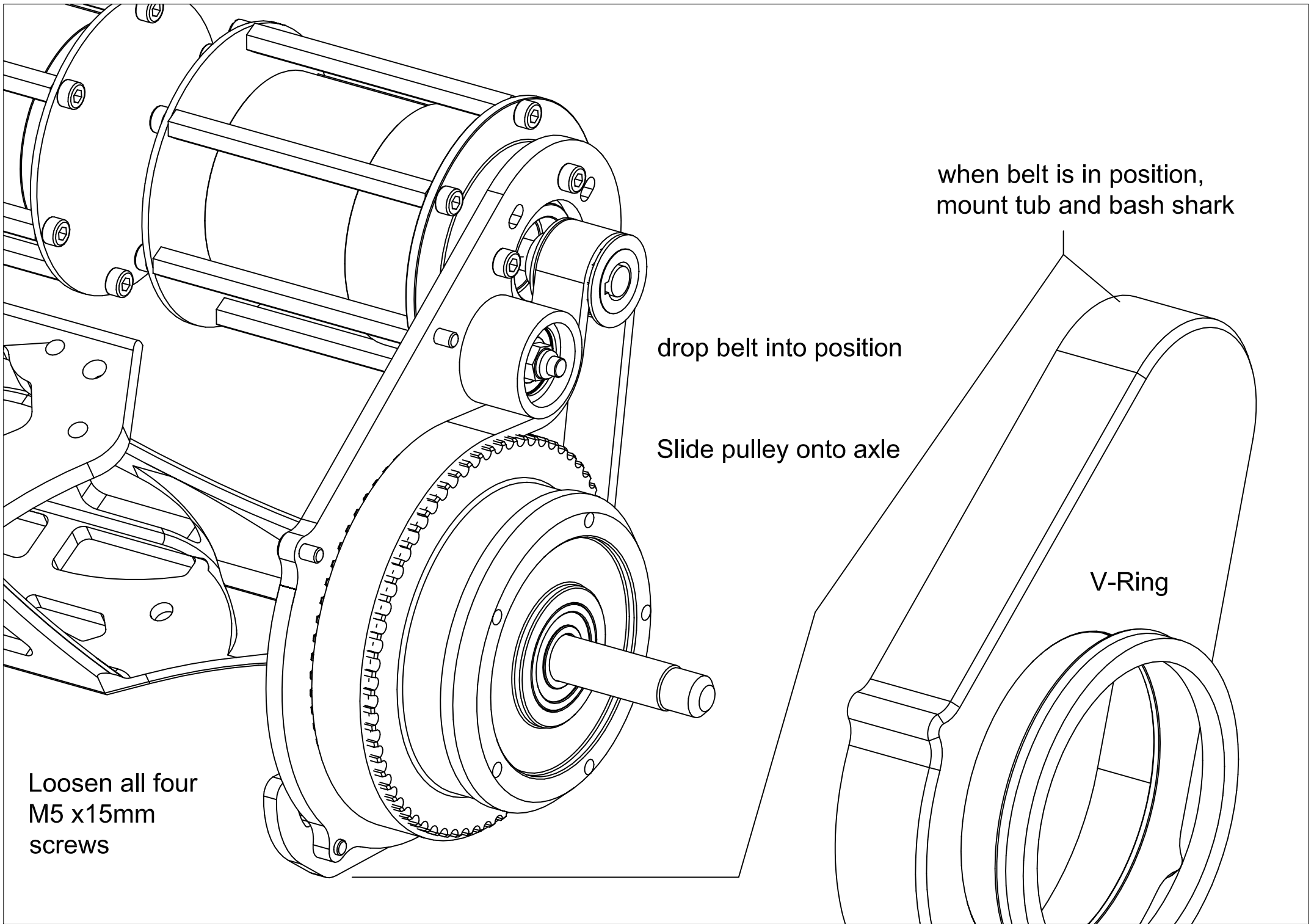




Mount Motor Assembly to Carbon Panel. Use M4 x 10 socket cap.

Motor position:

- Slide motor towards truck for 15 tooth pulley.
- Slide motor back for 13 Tooth pulley.
- Center motor for 14 tooth pulley.



Loosen all four
M5 x15mm
screws

drop belt into position

Slide pulley onto axle

when belt is in position,
mount tub and bash shark

V-Ring